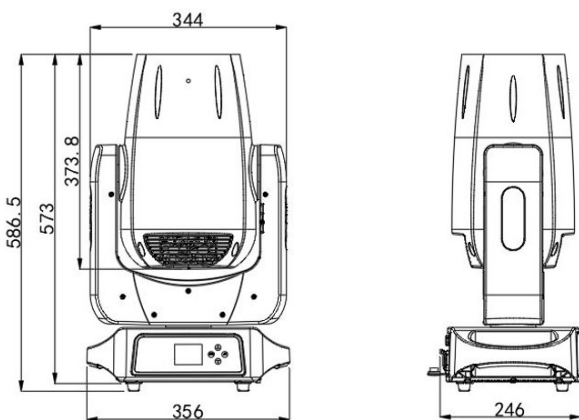


ZETA 100 i

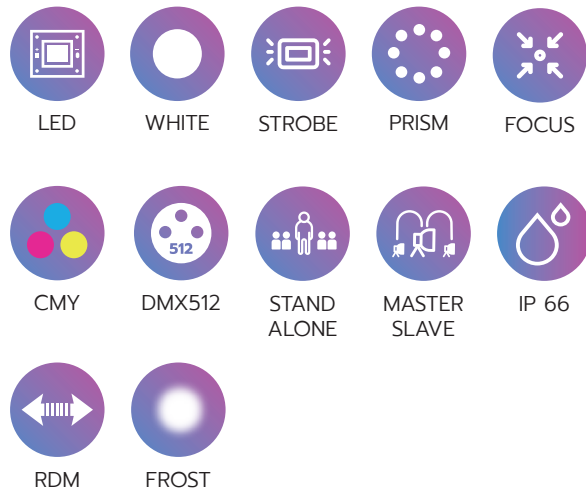


LASER MOVING 100W IP

- Moving Beam 100W
- Fix Beam 2°
- Outdoor

APPLICATIONS

Stage, Studio, Events, Theatre, Concert, Club, Bar, Restaurant, Hotel, Mall



SPECIFICATIONS

Housing :	Die-cast Aluminium
Finishing :	Black
Power Consumption :	180 W
Operating Voltage :	100-240 V , 50-60 Hz
Power Connection :	Powercon IP IN/OUT
Signal Connection :	XLR 5 Pin IN/OUT
IP Rating :	66
Weight (kg) :	24 kg
Size (WxHxD) :	356 x 246 x 586.5 mm
Source :	LED – laser - 100W
Lamp Color :	White + 1 color wheel + CMY
Beam Angle :	0.9°
Control Gear :	Built-in driver
Control Mode :	DMX512, RDM, Auto Programs, Master/Slave
Features :	Dimmer, Color Wheel, Gobo Wheel, Strobe, Prism, Pan, Tilt, Flicker-free, Focus, Frost, CMY
DMX Channels :	20, 23 CH
Accessories :	Brackets, Safety sling (Included)